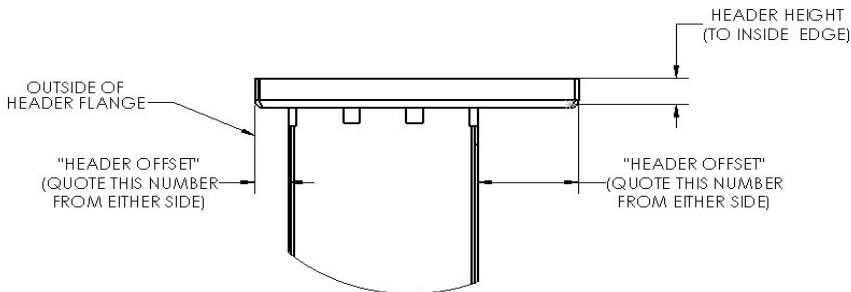
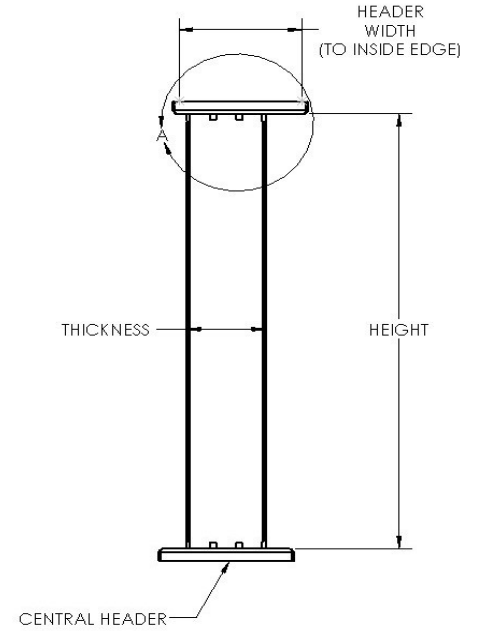
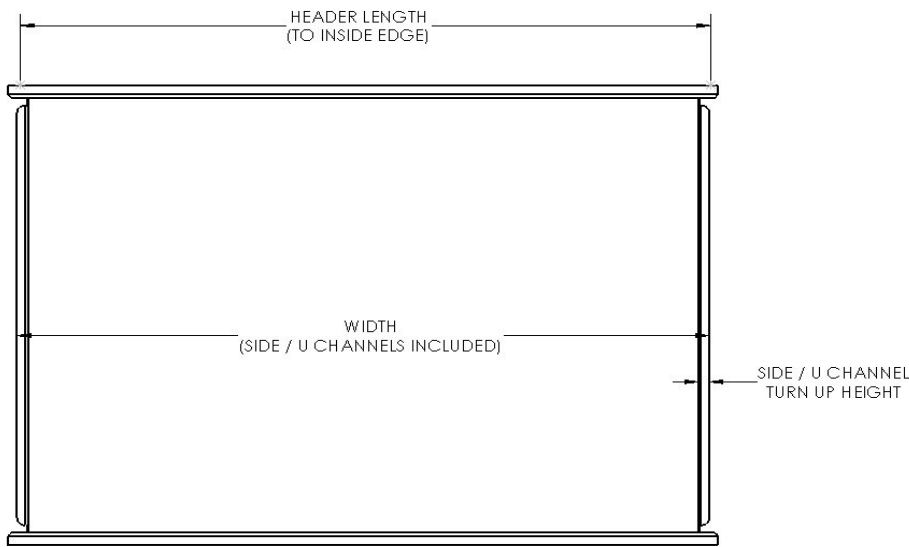


30 Industrial Avenue, Molendinar, QLD 4214  
 PO Box 1063, Ashmore City, QLD 4214  
 Tel 07 5597 0871; ABN 64 133 682 069

## TUBULAR CORE ORDER SHEET

DATE	
CUSTOMER NAME	
REQUIRED BY DATE	
METHOD OF TRANSPORT	

MAKE	
MODEL	
YEAR	
ENGINE	



IF HEADER HAS OFFSET "SIDE TO SIDE" .... VERY RARE  
 A SEPARATE NOTE ON DRAWING WOULD BE REQUIRED !

DETAIL A

CORE				
HEIGHT	WIDTH	THICKNESS	FPI	CORE TYPE (CT/TUBULAR/TROPICAL/WELDED)
TYPE (STD/H DUTY/DIMP)	TUBE PITCH		FIN MATERIAL (COP/BRASS/STEEL)	# OF ROWS

HEADER							
LENGTH	WIDTH	STYLE	THICKNESS	FLANGE TURN UP	OFFSET	CORNERS	
TOP							
BOTTOM							

(SQ/RAD)